

Web Service Management

Systemübergreifendes Systems Management

Klaus Kämpf

Architect Systems Management

Novell, Inc.

Novell.[®]

Überblick

- " Motivation
- " Distributed Management Task Force
- " Web Service Management
- " Web Based Enterprise Management
- " Architektur
- " Anbieter
- " Software

Motivation

Systems Management

Systeme

- Hardware
- Betriebssystem
- Netzwerke
- Services
- Applikationen

Aufgaben

- Installation
- Konfiguration
- Überwachung
- Steuerung
- Planung



Kostensenkung im IT Management



Standardisierung - DMTF

- Founded in 1992, the **Distributed Management Task Force, Inc.** (DMTF) is the industry organization leading the development of management standards and integration technology for enterprise and Internet environments.
- <http://www.dmtf.org>



WS-Management

Web Services for Management

Bietet einen **einheitlichen Weg** für den **Zugriff** auf und den **Austausch** von **Management Informationen** in der gesamten IT Infrastruktur.

- Verwaltet (abstrakte) Ressourcen
- Nutzt HTTP, XML, SOAP
- Sammlung von Standards
 - WS-Addressing, WS-Transfer, WS-Eventing, WS-Catalog
- Alternativen
 - OASIS Web Services Distributed Management (WSDM)

Ressourcen

Resource

Physische oder logische **Entität** innerhalb der IT Infrastruktur die (Management) **Informationen** bereithält oder empfängt.

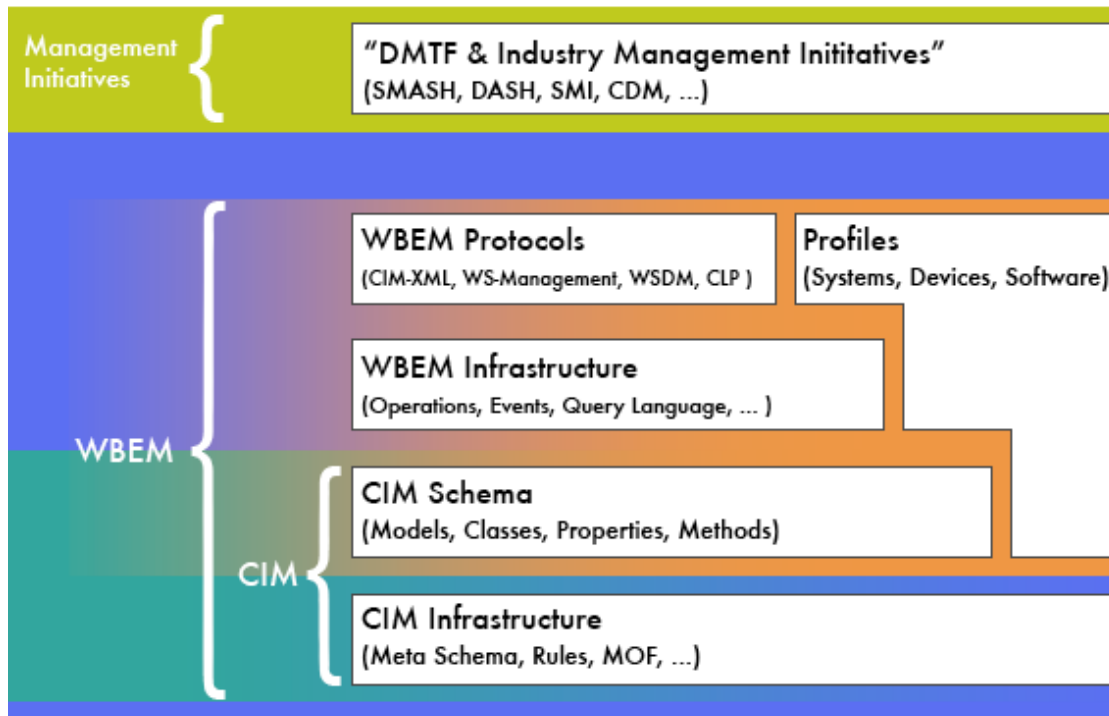
- WS Management trifft keine Festlegung
- Objektorientiert (Klassen, Merkmale, Methoden)
- Adressierung über *uniform resource identifier* (URI)
Namensraum + Klasse + Instanz

CIM - Common Information Model

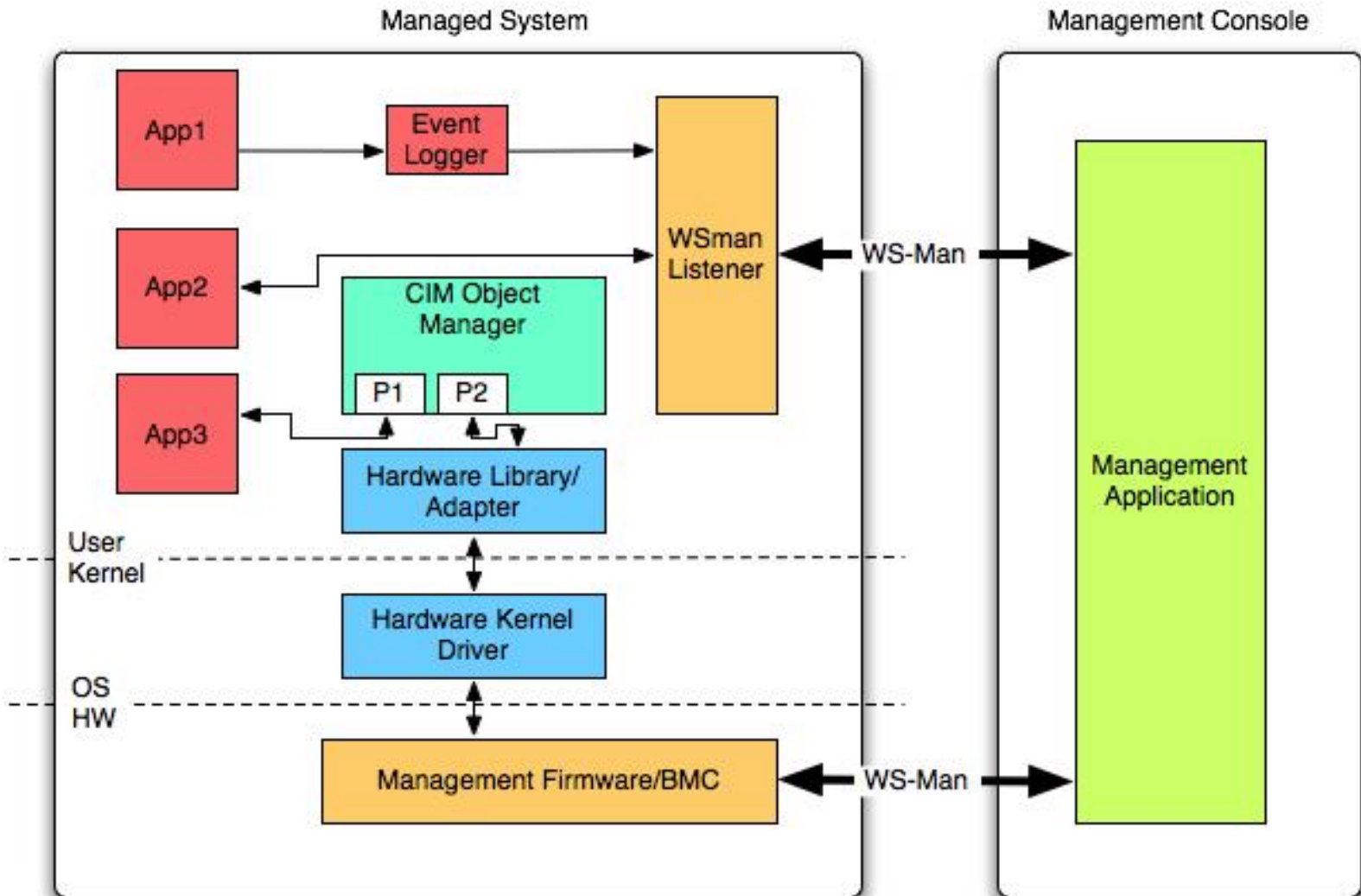
- Objektorientiertes Model der realen (IT-)Welt
- Technologieneutral, Semantikorientiert
- Fokus auf Konzepte, Model und Interoperabilität
- Klassen, Merkmale, Methoden, Verbindungen

- Implementierungen
 - Windows (seit Windows 98)
 - Linux: SLES, (RHEL?)
 - Unix (HP/UX, AIX, Solaris)
- WS-CIM (CIM über WS-Management)

WBEM – Web Based Enterprise Management^N



Architektur



Vorteile von WS-Management

- Herstellerunabhängig
- Offen, Portabel
- Verfügbarkeit
- Erweiterbar
- Sicher
- Web Technologie

Nachteile von WS-Management

- Komplex, Aufwendig (SOAP)
- XML Firewall
- Standard nicht endgültig
- Unvollständig (WS-Catalog fehlt noch)

Anbieter

" Microsoft

- Windows Vista, Windows XP SP2, Windows Server 2003R2

" HP

- Wiseman (Java)

" Intel

- vPro / iAMT
- Openwsman

" Novell

- *Technical Collaboration Agreement* mit Microsoft
- OpenSUSE 10.3 (tech. preview)

" Embedded Devices

Software

- " Windows Remote Management (WinRM)
 - Windows Vista
 - Windows XP SP2, Windows Server 2003
- " Openwsman
 - <http://www.openwsman.org>
- " Novell / SUSE
 - <http://www.opensuse.org>
- " OpenSUSE Build Service
 - <http://build.opensuse.org>

Novell®

Unpublished Work of Novell, Inc. All Rights Reserved.

This work is an unpublished work and contains confidential, proprietary, and trade secret information of Novell, Inc. No part of this work may be practiced, performed, copied, distributed, revised, modified, translated, abridged, condensed, expanded, collected, or adapted without the prior written consent of Novell, Inc. Any use or exploitation of this work without authorization could subject the perpetrator to criminal and civil liability.

General Disclaimer

This document is not to be construed as a promise by any participating company to develop, deliver, or market a product. It is not a commitment to deliver any material, code, or functionality, and should not be relied upon in making purchasing decisions. Novell, Inc. makes no representations or warranties with respect to the contents of this document, and specifically disclaims any express or implied warranties of merchantability or fitness for any particular purpose. The development, release, and timing of features or functionality described for Novell products remains at the sole discretion of Novell. Further, Novell, Inc. reserves the right to revise this document and to make changes to its content, at any time, without obligation to notify any person or entity of such revisions or changes. All Novell marks referenced in this presentation are trademarks or registered trademarks of Novell, Inc. in the United States and other countries. All third-party trademarks are the property of their respective owners.

